



## THOR Universal Quick-Tach Adapters

*"Make Your Loader More Versatile"™*

THOR Attachments LLC  
 PO Box 139  
 Fall Creek, WI 54742  
 Cell: 715-797-0325  
 Email: thorllc@yahoo.com

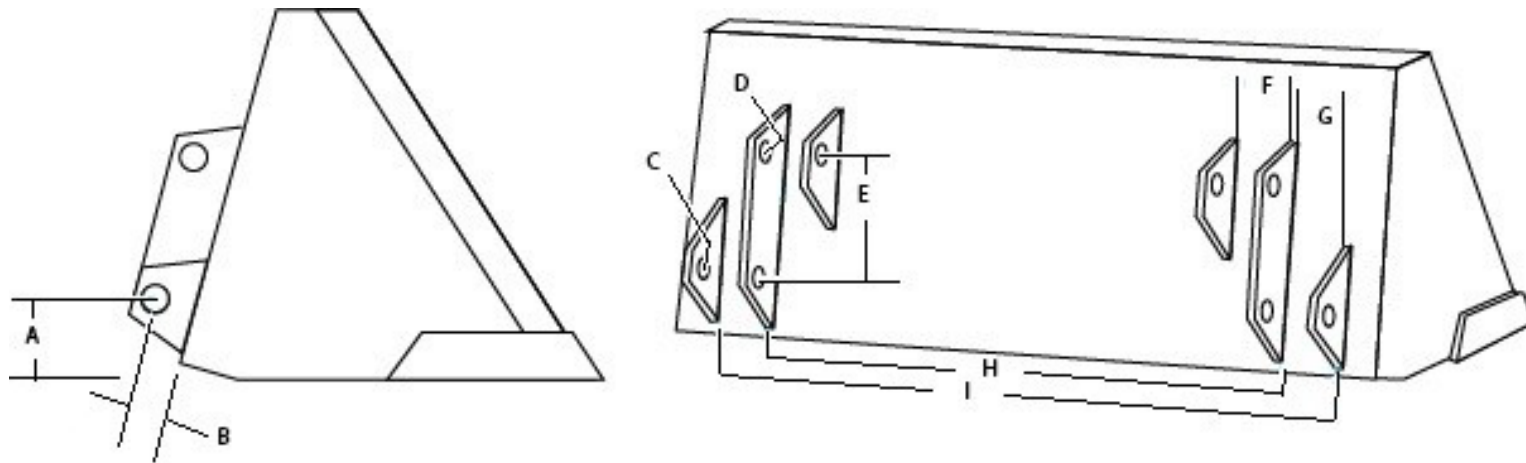
### Loader Spec Form for Loaders with 2 Off-Set Tilt Cylinders

Please fill out and return to  
 Thor Attachments LLC.

**LOADER MAKE & MODEL** \_\_\_\_\_ **YEAR** \_\_\_\_\_

**CONTACT** \_\_\_\_\_ **PHONE** \_\_\_\_\_

**CITY/STATE/ZIP** \_\_\_\_\_



|   |  |  |
|---|--|--|
| <b>A</b> _____<br>(DISTANCE FROM GROUND TO CENTER OF HOLE)    | <b>D</b> _____<br>(HOLE DIAMETER)                      | <b>G</b> _____<br>(DISTANCE BETWEEN BRACKETS)                        |
| <b>B</b> _____<br>(DISTANCE_CENTER OF HOLE TO BUCKET SURFACE) | <b>E</b> _____<br>(DISTANCE_CENTER-TO-CENTER OF HOLES) | <b>H</b> _____<br>(DISTANCE_FROM INSIDE-TO-INSIDE OF INNER BRACKETS) |
| <b>C</b> _____<br>(HOLE DIAMETER)                             | <b>F</b> _____<br>(DISTANCE BETWEEN BRACKETS)          | <b>I</b> _____<br>(DISTANCE_FROM INSIDE-TO-INSIDE OF OUTER BRACKETS) |