



THOR Universal Quick-Tach Adapters

"Make Your Loader More Versatile"™

THOR Attachments LLC
 PO Box 139
 Fall Creek, WI 54742
 Cell: 715-797-0325
 Email: thorllc@yahoo.com

Loader Spec Form for Loaders with 2 Tilt Cylinders

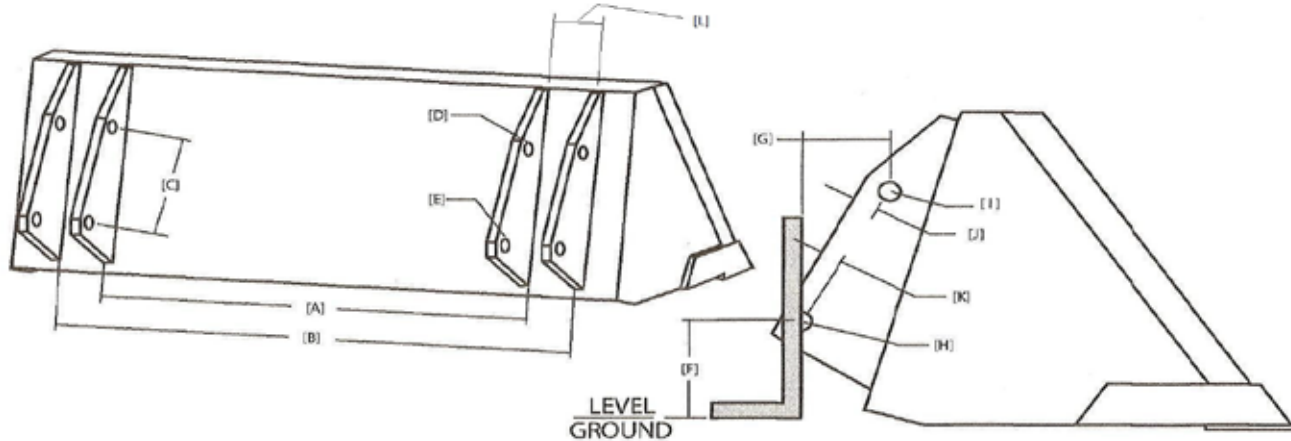
LOADER MODEL # _____

CONTACT _____

PHONE _____

YEAR _____

CITY, STATE, ZIP _____



- | | | | |
|-----------|--|-----------|---|
| [A] _____ | INSIDE MOUNTING BRACKET | [H] _____ | PERPENDICULAR DISTANCE FROM BOTTOM PIN CENTER TO BACK OF BUCKET |
| [B] _____ | OUTSIDE MOUNTING BRACKET | [I] _____ | PERPENDICULAR DISTANCE FROM TOP PIN CENTER TO BACK OF BUCKET |
| [C] _____ | PIN CENTERS | [J] _____ | DISTANCE FROM TOP PIN HOLE TO BACK EDGE OF PLATE |
| [D] _____ | TOP PIN HOLE DIAMETER | [K] _____ | DISTANCE FROM BOTTOM PIN HOLE TO BACK EDGE OF PLATE |
| [E] _____ | BOTTOM PIN HOLE DIAMETER | [L] _____ | DISTANCE BETWEEN BRACKETS |
| [F] _____ | PERPENDICULAR DISTANCE FROM GROUND OR BOTTOM OF BUCKET | | |
| [G] _____ | OFFSET DISTANCE BETWEEN PINS | | |

Please fill out and return to THOR Attachments LLC.