



# THOR Universal Quick-Tach Adapters

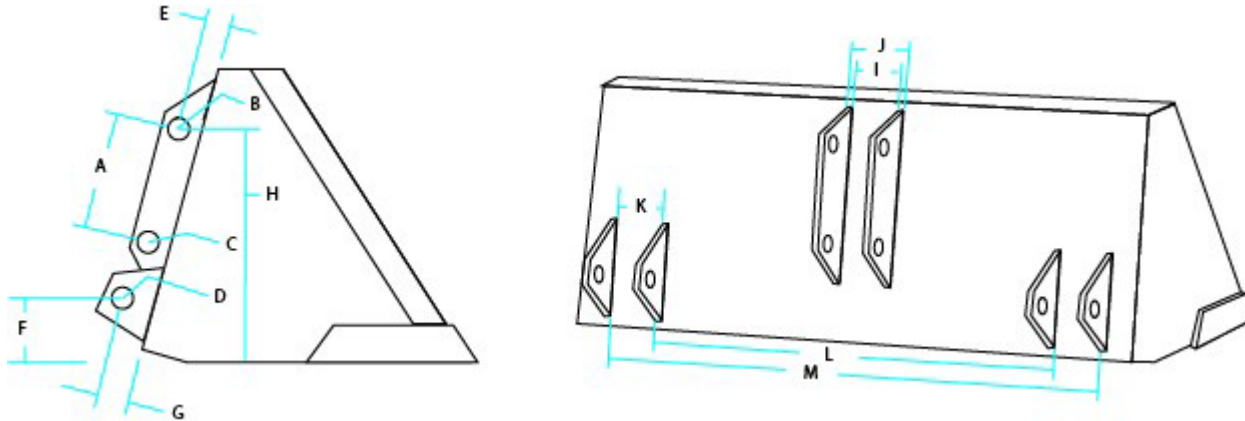
*"Make Your Loader More Versatile"™*

THOR Attachments LLC  
 PO Box 139  
 Fall Creek, WI 54742  
 Cell: 715-797-0325  
 Email: thorllc@yahoo.com

## Loader Spec Form for Loaders with 2-Hole Center Tilt

Please fill out and return to  
 Thor Attachments LLC.

**LOADER MAKE & MODEL** \_\_\_\_\_ **YEAR** \_\_\_\_\_  
**CONTACT** \_\_\_\_\_ **PHONE** \_\_\_\_\_  
**CITY/STATE/ZIP** \_\_\_\_\_



<b>A</b> _____ (DISTANCE BETWEEN CENTER HOLES_CENTER-TO-CENTER)	<b>F</b> _____ (DISTANCE FROM GROUND TO CENTER OF HOLE)	<b>K</b> _____ (DISTANCE INSIDE BRACKETS)
<b>B</b> _____ (HOLE DIAMETER)	<b>G</b> _____ (DISTANCE_CENTER OF HOLE TO BUCKET SURFACES)	<b>L</b> _____ (DISTANCE_FROM INSIDE-TO-INSIDE OF INNER BRACKETS)
<b>C</b> _____ (HOLE DIAMETER)	<b>H</b> _____ (DISTANCE FROM GROUND TO CENTER OF HOLE)	<b>M</b> _____ (DISTANCE_FROM INSIDE-TO-INSIDE OF OUTER BRACKETS)
<b>D</b> _____ (HOLE DIAMETER)	<b>I</b> _____ (DISTANCE_INSIDE BRACKETS)	
<b>E</b> _____ (DISTANCE_CENTER OF HOLE TO BUCKET SURFACES)	<b>J</b> _____ (DISTANCE_OUTSIDE-TO-OUTSIDE OF BRACKETS)	