



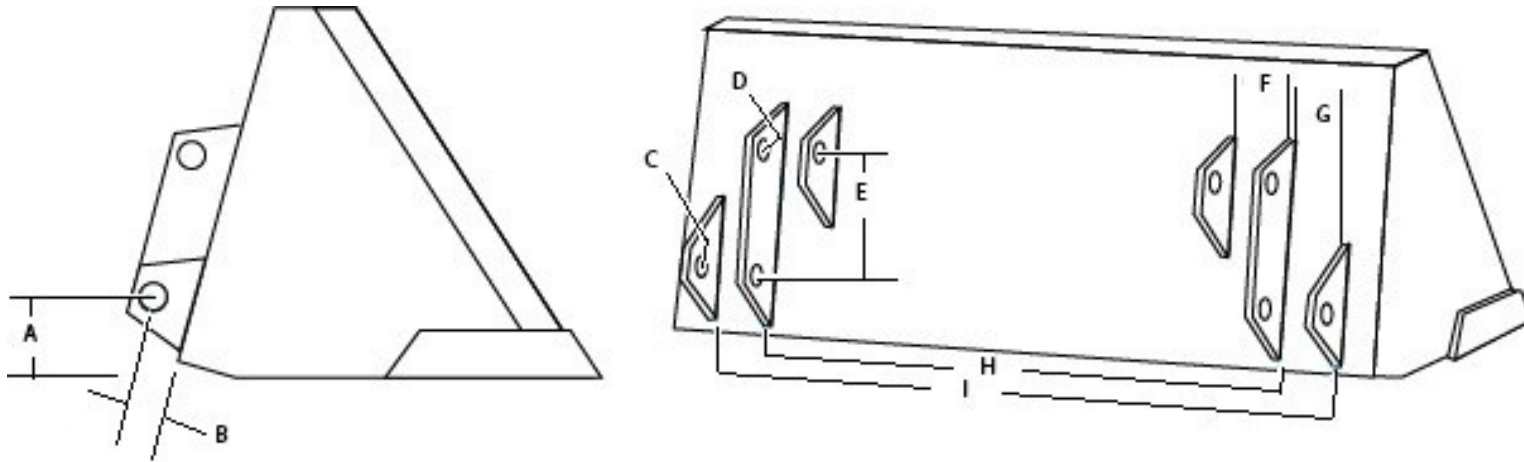
THOR Universal Quick-Tach Adapters
"Make Your Loader More Versatile"™

THOR Attachments LLC
 PO Box 139
 Fall Creek, WI 54742
 Cell: 715-797-0325
 Email: thorllc@yahoo.com

Loader Spec Form
for
Loaders with 2 Off-Set Tilt Cylinders

Please fill out and return to
 Thor Attachments LLC.

LOADER MAKE & MODEL _____ **YEAR** _____
CONTACT _____ **PHONE** _____
CITY/STATE/ZIP _____



A _____ (DISTANCE FROM GROUND TO CENTER OF HOLE)	D _____ (HOLE DIAMETER)	G _____ (DISTANCE BETWEEN BRACKETS)
B _____ (DISTANCE_CENTER OF HOLE TO BUCKET SURFACE)	E _____ (DISTANCE_CENTER-TO-CENTER OF HOLES)	H _____ (DISTANCE_FROM INSIDE-TO-INSIDE OF INNER BRACKETS)
C _____ (HOLE DIAMETER)	F _____ (DISTANCE BETWEEN BRACKETS)	I _____ (DISTANCE_FROM INSIDE-TO-INSIDE OF OUTER BRACKETS)