



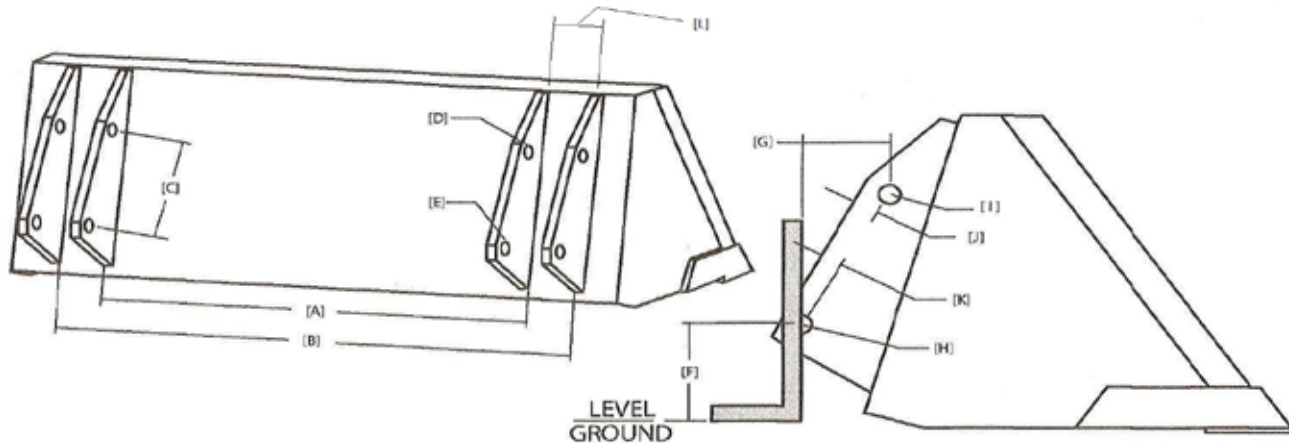
THOR Universal Quick-Tach Adapters

"Make Your Loader More Versatile"™

THOR Attachments LLC
 PO Box 139
 Fall Creek, WI 54742
 Office: 715-877-1400
 Cell: 715-797-0325
 Email: thorllc@yahoo.com

LOADER SPEC FORM for Loaders with Two Tilt Cylinders

LOADER MODEL # _____ CONTACT _____ PHONE _____
 YEAR _____ CITY, STATE, ZIP _____



- | | |
|--|---|
| [A] _____ INSIDE MOUNTING BRACKET | [H] _____ PERPENDICULAR DISTANCE FROM BOTTOM PIN CENTER TO BACK OF BUCKET |
| [B] _____ OUTSIDE MOUNTING BRACKET | [I] _____ PERPENDICULAR DISTANCE FROM TOP PIN CENTER TO BACK OF BUCKET |
| [C] _____ PIN CENTERS | [J] _____ DISTANCE FROM TOP PIN HOLE TO BACK EDGE OF PLATE |
| [D] _____ TOP PIN HOLE DIAMETER | [K] _____ DISTANCE FROM BOTTOM PIN HOLE TO BACK EDGE OF PLATE |
| [E] _____ BOTTOM PIN HOLE DIAMETER | [L] _____ DISTANCE BETWEEN BRACKETS |
| [F] _____ PERPENDICULAR DISTANCE FROM GROUND OR BOTTOM OF BUCKET | |
| [G] _____ OFFSET DISTANCE BETWEEN PINS | |

Please fill out and return to THOR Attachments LLC.